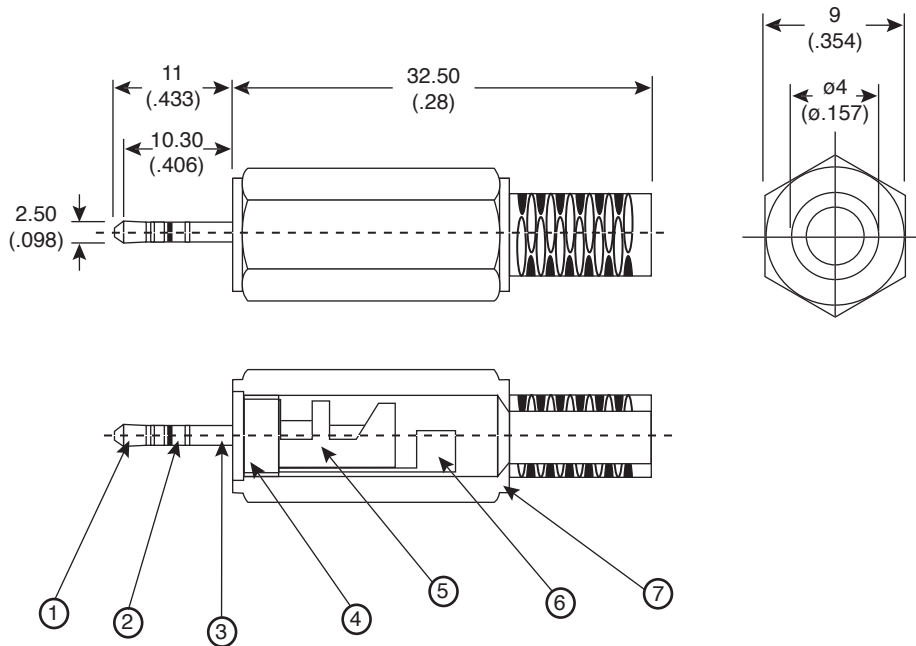


2.5mm Stereo Plug

171-0025



2.5mm Stereo Plug



Dimensions: mm (In)

SPECIFICATIONS

| | |
|-------------------------------|-----------------------------|
| Breakdown Voltage: | 500VAc for 1 Minute |
| Insulation Resistance: | 100M Ω min. @ 500VDC |
| Contact Resistance: | 50m Ω max. |
| Tolerance: | ± 0.5 |
| Max Wire O.D. | 3.8mm |

MATERIALS

| No. | Part Name | Material | Finish |
|-----|-----------|----------|--------|
| 1 | Contact A | Brass | Ni |
| 2 | Contact B | Brass | Ni |
| 3 | Contact C | Brass | Ni |
| 4 | Metal | Brass | Ni |
| 5 | Insulator | POM | --- |
| 6 | Terminal | Brass | Ni |
| 7 | Cap | PE | --- |

Date Last Revised: 6-28-05

Available from Mouser Electronics
1-800-346-6873
www.mouser.com

KC-300544

171-0025